

(19)



Europäisches Patentamt  
European Patent Office  
Office européen des brevets



(11) EP 1 394 535 A1

(12)

**EUROPEAN PATENT APPLICATION**

(43) Date of publication:  
03.03.2004 Bulletin 2004/10

(51) Int Cl.7: G01N 27/327, C12Q 1/00

(21) Application number: 03077709.8

(22) Date of filing: 28.03.2001

(84) Designated Contracting States:  
AT BE CH CY DE DK ES FI FR GB GR IE IT LI LU  
MC NL PT SE TR

- Beckingham, Helen Elizabeth  
Inverness IV2 5PG, Scotland (GB)
- Hall, Geoffrey F.  
Fortrose IV10 85H, Scotland (GB)

(30) Priority: 28.03.2000 US 537065  
28.03.2000 GB 0007522

(74) Representative: Mercer, Christopher Paul et al  
Carpmaels & Ransford  
43, Bloomsbury Square  
London WC1A 2RA (GB)

(62) Document number(s) of the earlier application(s) in  
accordance with Art. 76 EPC:  
01924446.6 / 1 269 173

Remarks:

This application was filed on 29 - 08 - 2003 as a  
divisional application to the application mentioned  
under INID code 62.

(71) Applicant: Diabetes Diagnostics, Inc.  
Waltham, MA 02453 (US)

(72) Inventors:  
• Davies, Oliver William Hardwicke  
Inverness IV2 5PG, Scotland (GB)

(54) **Rapid response glucose sensor**

(57) A disposable electrochemical sensor for the de-  
tection of an analyte such as glucose in a liquid sample  
is formed with a working electrode and a reference elec-  
trode disposed within a sample-receiving cavity, and a  
reagent layer disposed within the sample-receiving cav-  
ity and over the working electrode. The reagent layer  
contains at least an enzyme for producing an electro-  
chemical signal in the presence of the analyte. The sam-  
ple-receiving cavity has a volume of less than 1.5 µl, and  
such that the sensor provides a measurement which

correlates with the amount of analyte in a period of 10  
seconds or less. The sensor is used in combination with  
a meter for detection of the analyte in a liquid sample.  
A suitable meter has a timing circuit for controlling the  
measurement of current indicative of analyte in the sam-  
ple following detection of sample application to a test  
strip inserted in the meter. This timing circuit causes the  
measurement of current to occur at a time 15 seconds  
or less after the detection of sample application.

EP 1 394 535 A1

**Description**Field of the Invention

[0001] This application relates to a disposable electrochemical glucose sensor of the type used by diabetics to monitor blood glucose levels.

Background of the Invention

[0002] Disposable strip electrochemical glucose sensors have been commercially available for over 10 years, and are described in various patents including US Patents Nos. 4,711,245, 5,708,247 and 5,802,551. These sensors utilize redox mediators to facilitate charge exchange between enzyme and electrode. These devices offer significant advantages over the older optical technology, such as the fact that the blood does not go into the meter and the meters themselves tend to be much lighter and less cumbersome; but they also suffer some disadvantages. The electrochemical tests results are typically affected by other electroactive species present in the sample and also by the oxygen content and haematocrit of the sample.

[0003] The reason for the interference by electro-active species is very straight-forward. Species which are readily oxidizable result in an increased current which leads to an elevated reading. The increased current may be due to direct oxidation at the electrode surface or arise via redox catalysis. Some manufacturers have tried to address this problem by using an auxiliary electrode to make a background subtraction. While this approach is useful, it adds an extra manufacturing step; adding cost and an extra measurement with its associated errors, thereby degrading precision. Background subtraction can also lead to an overcorrection since the efficiencies of interferant redox catalysis can be different on the two electrodes depending on the analyte concentration.

[0004] The oxygen and haematocrit effects are linked. Oxygen is the natural cofactor for glucose oxidase, so in the presence of oxygen there will be strong competition between oxygen and redox mediator resulting in a depressed signal. Similarly, since hemoglobin is a highly efficient oxygen delivery medium, high sample haematocrits will also result in depressed signals. Exclusion membranes which keep blood cells away from the electrode surface have been proposed to reduce the haematocrit effect (US Pat. No. 5,658,444). This approach adds additional manufacturing steps, and is in any event only effective for a part of the oxygen-based effect.

[0005] Thus, there remains a need for a disposable electrochemical devices which provide readings for blood analyte levels, particularly glucose, that are at most minimally impacted by the presence of interferants.

Summary of the Invention

[0006] In accordance with the invention, a disposable electrochemical sensor for the detection of an analyte such as glucose in a liquid sample is provided. The sensor comprises a working electrode and a reference electrode disposed within a sample-receiving cavity, a reagent layer disposed within the sample-receiving cavity and over the working electrode, said reagent layer comprising at least an enzyme for producing an electrochemical signal in the presence of the analyte, wherein the sample-receiving cavity has a volume of less than 1.5  $\mu\text{l}$ , and wherein the sensor provides a measurement that correlates sufficiently well (for example  $R^2 > 0.95$ ) with the amount of analyte in a period of 10 seconds or less to allow use the measurement in the precise and accurate detection and quantitation of the analyte.

[0007] The sensor is used in combination with a meter for detection of the analyte in a liquid sample. A suitable meter comprises a timing circuit for controlling the measurement of current indicative of analyte in the sample following detection of sample application to a test strip inserted in the meter, wherein the timing circuit causes the measurement of current to occur at a time 15 seconds or less after the detection of sample application.

Brief Description of the Drawings

## [0008]

Fig. 1 illustrates the diffusional movement of reactant species in the vicinity of a disposable electrode; Fig. 2 shows a cross sectional view of a biosensor in accordance with a first embodiment of the invention; Fig. 3 shows a cross sectional view of a biosensor in accordance with a second embodiment of the invention; Fig. 4 shows an apparatus for web printing of a face-to-face sensor device; Fig. 5 shows a partially constructed face-to-face sensor device; Fig. 6 shows a cross-section view of a sensor in accordance with the invention; Fig. 7 shows a plot of correlation coefficient vs test time; Fig. 8 shows an exterior view of a meter in accordance with the invention; Figs. 9A-C show the construction of a sensor in accordance with the invention; and Fig. 10 shows a comparison of a commercial strip with a rapid response strip in accordance with the invention.

Detailed Description of the Invention

[0009] The key to improving electrochemical strip per-

formance lies in designing the strip such that the mediated reaction is favoured over the interfering reactions. In the case of glucose detection, the analyte specific reaction is a mediated reaction involving enzymatic generation of reduced mediator followed by oxidation of the mediator at the electrode surface. We therefore concluded that the test should be constructed such that these reactions take place in close proximity with the electrode surface in order to provide the maximum collection efficiency.

[0010] It is worth considering the diffusion processes taking place during a test. Consider the application of a sample to the test strip as shown in Fig.1. The test strip, in its dry state, includes an electrode coated with a reagent layer containing enzyme, E, and mediator, M. The test sample contains glucose, G, electrochemical interferants, I, and oxygen, O<sub>2</sub>, which may be bound to hemoglobin, Hb. On application of the sample there is a net diffusional flux of E and M away from the electrode towards the test sample and a net diffusional flux of G and I towards the electrode. Hence at very short times after sample application most of the enzyme is still close to the electrode and reaction with glucose has a high probability of resulting in generation of a reduced mediator molecule close enough to the electrode to be captured. At longer times, much of the enzyme has diffused "deeper" into the sample and can react with glucose here. This has two effects. Firstly, there is a high probability of the reduced enzyme being oxidized by O<sub>2</sub> rather than M, since the concentration of M will diminish further from the electrode and the concentration of O<sub>2</sub> will increase further from the electrode (because of this same reaction). Even if the reduced enzyme does react with M, the probability of the reduced M diffusing back to the electrode to be reoxidized with the concomitant production of a detectable signal is low. Secondly, the sequence of reactions just described has the effect of depleting the inwardly diffusing G, so that the amount of G that actually arrives in the vicinity of the electrode where it can be detected with some efficiency is reduced. Clearly both of these factors contribute to a reduced signal in the presence of oxygen in the sample.

[0011] Similarly, common interferants are easily oxidized materials such as ascorbate, acetaminophen and uric acid which upon reaching the electrode surface are oxidized along with reduced mediator that may be present. Since this effect can only occur when I is present near the electrode surface, it will be at its minimum at short times before diffusion of I to the electrode has occurred.

[0012] As is apparent from this mechanistic explanation, one solution to both of the problems of interferants and hematocrit/oxygen levels is to make the measurement at very short times. An alternative solution is to restrict the sample volume so that the surface area of the electrode is very large compared to the sample volume. A good configuration is one that ensures that the sample layer over the electrode is very thin (e.g. <200

microns). One benefit of limiting the sample volume is that the solution hydrodynamics settle down more rapidly. With a large sample volume convective effects in the sample lead to noise in the measurement. By maintaining a low sample volume in the form of a thin film convective effects are minimized. This means that with a low sample volume it is possible to make measurements earlier.

[0013] In practice, these solutions are related and are both implemented in the biosensors of the present invention. Thus, the present invention provides disposable electrochemical sensors and associated meters which are adapted for taking electrochemical measurements of the amount of an analyte in a sample, for example for quantification of blood glucose levels, in a shorter time than previously known systems. The sensors of the invention take advantage of the synergistic relationship between short measurement times and small sample volumes to achieve superior performance. Low sample volume allows earlier measurement because of early settling of hydrodynamic effects, and thus facilitates measurements at short times. Low sample volume also necessitates short time measurements because the small signal diminishes at longer times and therefore cannot provide a reliable reading. By choosing this kind of configuration we ensure that the mediator concentration is kept high so that the mediator competes more effectively with oxygen for the reduced enzyme.

[0014] Achieving a device which utilizes a small sample volume is highly desirable from the patient point of view. The challenge is creating a device which utilizes a small sample volume to produce reliable measurements of the analyte concentration. The first part of this process is the definition of a small volume sample-receiving cavity. The volume of this cavity is defined by the area of the electrodes and the thickness of the gap between the electrodes. There is a lower limit to the area of electrodes which can be achieved by any given printing process, determined by edge definition and print tolerances. One way to improve this precision when using known electrode printing inks is with the printing methodology described in commonly assigned International Patent Publication No. WO00/42422 which is incorporated herein by reference.

[0015] Once the "area" of the electrodes has been minimized, the sample volume is further defined by the gap between the electrode surfaces. The primary goal is a thin, but consistent gap. It should be remembered, however, that if a low sample volume is achieved by using a very thin gap (i.e. < 200 μm), the usual conditions of semi-infinite diffusion are not met. Because of this, the diffusion layer can extend across the entire gap, and significantly deplete the sample. Under these circumstances, the precision of the devices becomes influenced by the additional factor of the precision of the assembly process that determines the gap size. There is a relationship between the measurement time and the

size at which precision in the gap size becomes important, which can be understood from consideration of the formula

$$L = \sqrt{Dt}$$

where L is the diffusion length, D is the diffusion coefficient and t is time. When the test time is reduced from 15 seconds to 5 seconds, the diffusion length is reduced by a factor of 3. What this means in practical terms is that by shortening the measurement time, one can reduce the size of the gap further, without running into the limiting condition where precision in the gap becomes a substantial factor in the precision of the device. Thus, for example, assuming a diffusion coefficient of  $10^{-5} \text{ cm}^2 \text{ sec}^{-1}$  a 5 second test would require a gap greater than  $70 \text{ } \mu\text{m}$ , compared to  $125 \text{ } \mu\text{m}$  which would be required for a 15 second test. Considering these factors, a suitable configuration for a sensor in accordance with the invention has a sample receiving cavity with a volume of less than  $1.5 \text{ } \mu\text{l}$ . Combined with considerations about the gap size, this means that the working electrode is desirably sized such that the ratio of the surface area of the working electrode to the gap size is about 0.5 to  $100 \text{ mm}$ . In a specific preferred configuration, the area of each electrode is  $0.8 \text{ mm}^2$  and the gap is  $100\text{-}150 \text{ } \mu\text{m}$ , to define a sample-receiving compartment with a volume of  $0.5$  to  $0.8 \text{ } \mu\text{l}$ .

[0016] Fig. 2 shows an electrochemical sensor 10 in accordance with a first embodiment of the invention. Electrodes 11 and 12 are formed on a base substrate 13. The base substrate 13 in combination with spacers 14, 15 and top cover 16 define a cavity 17 in which the electrochemical reactions occur. In an exemplary embodiment, the electrodes have a surface area of  $5 \text{ mm}^2$  and the volume of the cavity is suitably less than  $1.5 \text{ } \mu\text{l}$ , preferably less than  $1 \text{ } \mu\text{l}$  and most preferably less than  $0.5 \text{ } \mu\text{l}$ .

[0017] A device of the type shown in Fig. 2 can be manufactured as follows. Electrodes 11 and 12 are deposited onto substrate 13. The specific manner of depositing will be determined by the nature of electrodes, although screen printing is a preferred technique for many materials. The area of the electrode which will be exposed to sample in the chamber is defined by depositing an insulating mask over the electrodes. (See commonly assigned International Patent Publication No. WO00/42422). Next, the reagent layer is deposited. This layer may cover both electrodes, or it may be confined to the area over the working electrode. Spacers 14 and 15 are then formed in a pattern around the electrodes. In a preferred embodiment, these spacers are formed by printing a layer of adhesive having a dry height of about  $150 \text{ } \mu\text{m}$ . This spacer defines the capillary gap without the need to utilize a preformed solid material and thus substantially facilitates the production of the devices of the invention. The final step is the application

of a cover 16 to complete the chamber 17. In the preferred embodiment, the cover 16 is affixed to the device via the adhesive spacers 14, 15.

[0018] Figs. 9 A-C illustrate a specific embodiment of a manufacturing technique for the production of a sensor in accordance with the invention. The figure shows a single sensor, but it will be appreciated that more than one sensor will generally be prepared. Fig. 9A shows the structure of the device before lamination of the cover. The sensor at this stage has two electrodes 11, 12 deposited on a substrate (not shown for clarity). Electrical connections to these electrodes are not shown. A reagent pad 100, for example containing an appropriate enzyme for the analyte, is deposited over both electrodes. Adhesive pads 101, 102 and 103 are deposited on three sides of the reagent pad. Two pieces 104, 105 of a hydrophilic film (such as 3M 9962, a  $100 \text{ micron}$  thick surfactant-treated optically clear polyester film) are then placed in two locations, one spanning the adhesive pads 101 and 102 and covering the electrodes and reagent pad, and one covering a portion of the adhesive pad 103 to provide a support of consistent height for receiving the cover 116. (Fig. 9B) The positions of these pieces of hydrophobic film creates a capillary chamber over the two electrodes. The hydrophilic coating of the film encourages the movement, by capillary action, of the test liquid into the sample chamber created. The gap 106, formed in the area where there is no spacer or film allows air to escape from the back of the chamber as the test liquid moves into the sample chamber created. A pressure sensitive tape is applied as a top cover 116 over the hydrophilic films. The top cover 116 is suitably formed of a polyester film and can be coated with either a heat-activated adhesive or a pressure sensitive adhesive. The final step is cutting the device to create the appropriate opening sample chamber, for example by cutting along the dashed line C-C in Fig. 9B. Fig. 9C shows an end view of the device after being cut along this line C-C. As shown, the capillary entrance 110 to the sample chamber is defined by the substrate 13, the adhesive pads 101, 102 and the hydrophilic film 104 and the top cover 116. The films 104 and 105 are supported by the adhesive pads 101 and 102.

[0019] Fig. 3 shows an electrochemical sensor 20 in accordance with a second embodiment of the invention. Electrodes 21 and 22 are formed respectively on a base substrate 23 and a top cover 26. The base substrate 23 in combination with spacers 24, 25 and top cover 26 define a cavity 27 in which the electrochemical reactions occur. The sensor is constructed with a low volume and thin gap between the base substrate 23 and the top cover 26, for example from  $50$  to  $200 \text{ } \mu\text{m}$ . It should be noted that the surface area of the electrodes can double for the same size device, because of the folded, face-to-face configuration.

[0020] A device with this structure can be made using web printing technology as described in commonly assigned US Patent Application 09/537,599, filed March

28, 2000, which is incorporated herein by reference. This technology utilizes an apparatus of the type shown schematically in Fig. 4. A running web of substrate 31 is provided on a feed roll 32 and is transported over a plurality of print stations 33, 34, and 35, each of which prints a different layer onto the substrate. The number of print stations can be any number and will depend on the number of layers required for the particular device being manufactured. Between successive print stations, the web is preferably transported through a dryer 36, 37, and 38, to dry each layer before proceeding to the deposition of the next. After, the final dryer 38, the printed web is collected on a take up roll or introduced directly into a post-processing apparatus 39. To make a device with the structure shown in Fig. 3 in this apparatus, parallel conductive tracks 71 and 72; reagent layer(s) 73 and an insulation layer 74 are deposit on a substrate 70 as shown in Fig. 5. The substrate is then folded along a fold line disposed between the two conductive tracks to produce a sensor in which two face-to-face electrodes are separated by a reagent layer. An electrode geometry with the electrodes disposed on opposing surfaces within the cavity is beneficial because the voltage drop due to solution resistance is low as a result of the thin layer of solution separating the electrodes.

[0021] In each of the embodiments of the invention described above, the cavity is defined by insulative materials. Suitable insulative materials for this purpose include nylon, polyester, polycarbonate and polyvinylchloride. Suitable materials for use as the substrate include polyester films, for example a 300 micron polyester film, and other insulating substrate materials such as polyvinyl chloride (PVC) and polycarbonate. A specific polyester-based printable dielectric material from which the insulating mask can be formed is ERCON R488-B(HV)-B2 Blue. Within the cavity, a working and a reference electrode are formed from a conductive material. Suitable conductive materials include conductive carbon, gold, platinum, aluminum or doped semiconductor materials such as n-type SnO<sub>2</sub>. Preferred conductive carbon materials are ERCON ERC1, ERCON ERC2 and Acheson Carbon Electrodog 423. Carbon with these specification is available from Ercon, Inc. (Waltham, Massachusetts, USA), or Acheson Colloids (Princes Rock, Plymouth, England). Semiconductor electrodes offer an attractive option because they can be functionalized to permit the surface attachment of enzymes or other components of the reagent layer. This provides the benefits associated with immobilization, and also permits direct electron transfer between the reagent and the electrode.

[0022] The electrodes may be made from different materials or may be of the same material. Embodiments in which the electrodes are of the same composition, for example a carbon-electrode, can offer advantages. Specifically, the use of a single electrode material allows the working and the reference electrodes to be deposited in a single step, thus eliminating an electrode print

from the production process. The two electrodes can be printed very close together since the separation between is determined solely by the artwork on one screen (tolerance about 200 μm) and not on the alignment which can be achieved between separate print runs (tolerance over 0.5 mm) This allows the reaction area to be more compact and thus leads to a reduction in the volume of blood required to cover the electrodes.

[0023] The working electrode has one or more reagent layers disposed over the electrode which contain the enzyme and mediator used in the detection of the target analyte. Thus, for example, in a glucose sensor, the reagent layer(s) would include an enzyme such as glucose oxidase and a mediator such as ferricyanide, metallocene compounds, quinones, phenazinium salts, redox indicator DCPIP, and imidazole-substituted osmium compounds. The reagent layer may be a single layer including both enzyme and mediator, or may be constituted from a plurality of sub layers, some containing enzyme or enzyme and mediator and some containing only mediator.

[0024] Because the devices of the invention are intended to be used at short time intervals, an important characteristic of the electrodes is the ability to rapidly hydrate. Hydration rate is determined by the reagent layer composition. An electrode system which utilizes a silica-based reagent layer of the type described in US Patent No. 5,708,247, which is incorporated herein by reference, and International Patent Publication No. WO00/42422 permits rapid wetting and hydration and it therefore suitable for use in the sensors of the invention. The optimal material for the reagent layers of the electrodes of the sensors of the invention is one which hydrates rapidly to form a gel which remains in contact with the electrode surface and retains reagents in the vicinity of the electrode. If the reagent layer disperses rapidly following hydration, the reagents (and in particular the enzyme reagent) are rapidly lost from the vicinity of the electrode surface where they are most beneficial for the development of a signal reflecting analyte concentration in a sample.

[0025] The reagent layer must also comprise a mediator in a form available for immediate participation in the generation of signal reflecting analyte concentration. In the case of an analyte such as glucose which is oxidized by the enzyme, this means that mediator must be rapidly soluble and present in the oxidized form. In a commercial glucose strip sold by Medisense under the trade-names QID™ and EXACTECH™, the mediator is actually present in the reduced form and must be oxidized *in situ* before it can participate in a glucose monitoring reaction. This limits the response time of the strip, and precludes its use at short test times.

[0026] In the case of the reference electrode, the electrode needs to be rapidly hydrating, and also able to stabilize quickly enough to source the current demanded by the working electrode instantaneously, i.e. within 200 msec of hydration. A conventional silver/silver chloride

reference electrode does not stabilize quickly enough. A ferri-ferrocyanide reference on the other hand can be made to equilibrate very rapidly. In this design, a mediator-containing layer is used that solubilizes or disperses rapidly. In a specific embodiment of the invention, carbon ink electrodes are used with a reagent layer containing potassium ferricyanide as the mediator. Glucose oxidase is used as the enzyme in a hydroxy ethylcellulose-silica base with polymers added to increase the hydrophilic nature of the formulation. This system has a very high surface area and wets very rapidly.

[0027] In addition to the working electrode and the reference electrode, the device of the invention may be constructed to include a third electrode. The third electrode may be a dummy electrode, intended to compensate for background reactions, or a counter electrode of a conventional three electrode system. The third electrode might also be an identical working electrode.

[0028] In the embodiments of the invention discussed above, all of the layers are rapidly solubilized or hydrated. While rapid solubilization or at least hydration of the oxidized mediator is not a problem for interferant consumption, and possibly helps achieve this requirement, it is not entirely a good characteristic for an enzyme-containing layer, as described earlier, since this facilitates the enzyme diffusing away from the area close to the electrode where it is most beneficial. A useful configuration that combines both aspects, therefore, is shown in Fig 6. In this embodiment of the invention, the sensor 60 has a cavity 67 formed from a bottom substrate 63, spacers 64, 65 and a top cover 66. Two carbon electrodes 61, 62 are disposed on the bottom substrate 63 within the cavity 67. Electrode 62 is coated with a relatively thin (e.g. 5  $\mu\text{m}$ ) viscous gel layer 68 containing enzyme and mediator. Both electrodes 61, 62 are then covered with a relatively thick (e.g. 25  $\mu\text{m}$ ) dispersion layer 69 containing mediator, but no enzyme.

[0029] In another embodiment of the invention, two separate layers are configured to further reduce the effects of interferants. One way to capitalize on the chemical consumption of interferants is to provide a reagent layer with an excess of oxidized mediator on the outside. In a particularly attractive configuration an electrode is coated with a thin reagent layer containing enzyme and mediator and then a thick layer containing only mediator. Both layers are deposited in a matrix which limits diffusion but which is rapidly hydrated so that it can carry a current. By confining the enzyme to a thin layer the enzyme is largely held in close proximity with the electrode so that the parasitic reactions described above are unimportant. The thick outer mediator layer provides a barrier to inward diffusing interferants and remains in the desired position because of the diffusion-limiting matrix. An optional third layer may be included outside the first and second layers containing mediator in a rapidly hydrated dispersible matrix. Once again, by ensuring that the sample volume is small, the total amount of interferant in the sample is kept to a minimum, and the concen-

tration of oxidized mediator on re-constitution is high so that the mediator effectively removes interferant. Obviously, at longer times the local concentration of mediator will fall as it diffuses out into the sample and interference will become more significant. In our experience a sample volume of less than 1  $\mu\text{l}$ , preferably 0.5  $\mu\text{l}$ , is ideal.

[0030] Sensors made in accordance with the invention allow the taking of test measurements in much shorter times than achieved using known sensors. By shortening the test time, haematocrit effects can be reduced. If the sensor comprises an electrode covered with a reagent layer which has a retarding effect on certain blood components such as white cells and erythrocytes, then at short times the fluid arriving at the electrode will contain significantly fewer of these components than at long times.

[0031] Fig.7 shows a plot of correlation coefficient versus test time. At extremely short test times correlation is poor because the system has not yet stabilized. At very long test times the correlation also starts to degrade. Given the objective of limiting interferences by shortening the test time, the test will suitably be conducted in the regime indicated by the dashed lines, which for the sensors described below will be less than 10 seconds and preferably around 5 seconds. The disposable sensors of the invention work in combination with a test meter to provide accurate measurements of glucose within this time regime. Thus, the sensor is configured to provide signals which provide accurate and reliable information at short times, and the meter into which the sensor is inserted is adapted to collect information during this time.

[0032] Fig. 8 shows an exterior view of an exemplary hand-held meter in accordance with the invention. Like conventional meters, the meter of the invention has a housing 81 with a display 82 for displaying the results, and a slot 83 for insertion of the disposable sensor. Buttons 85 and/or switches may be included for operation of the meter, including recall of stored results, calibration checks and the like. Where the meter of the invention differs from the conventional meter is the in electronics within the housing. In the conventional meter, the addition of a liquid sample, such as a drop of blood, to a disposable sensor in the housing starts a measurement cycle during which reagents are dissolved and a reading taken. The start of the cycle may also be triggered by the depression of a button by the user, although this is not preferred. The microprocessor in a meter is typically in a "sleep" mode and "wakes up" periodically (for example every 1/2 second) to check interrupts. If the program detects that an interrupt flag is set, indicating that a strip has been inserted in the meter or the start button has been pressed, the program enters RUN mode. In this mode, typically a potential is applied to the strip and the microprocessor monitors the output (duty cycle) of a pulse-width monitor which indicates the level of any current drawn by the strip. As soon as the sample is applied to the strip, a current flows since the strip is already

subjected to a polarization potential. Detection of this start current initiates a timing sequence. Timing is controlled by the microprocessor. There are two crystals: a 4 MHz clock for operational function (i.e., performing measurements) and a 32 MHz clock which keeps time in the Off mode. On initiation of the timing process, the applied potential may either (1) be maintained at a constant level or (2) be varied following a predetermined profile. In either case, the current is measured after a predetermined time to assess the amount of analyte in the sample. By way of example, the data shown in Fig. 7 was collected in a system in which the sample application was detected at  $t=0$ , the applied potential was removed for 2 sec, during which time the strip is an open circuit, and then the same potential reapplied. The current was measured at numerous time points and the correlation of current with analyte concentration determined at each time point.

[0033] In commercially available meters known in the art, the measurement cycle is established to make the current measurement at 20 to 60 seconds after the detection of sample. In the meters of the invention, which are particularly adapted for use with rapid-response strips of the invention, the measurement cycle is established to make current measurements at a time 15 seconds or less after the detection of sample, and preferably at a time from 5 to 10 seconds after the detection of sample.

[0034] The invention will now be further described with reference to the following non-limiting examples.

#### Example 1

[0035] Rapid response glucose sensors in accordance with the invention were prepared using the procedures outlined in Figs 9A-C and the following materials:

substrate: polyester film  
 carbon ink formulation: Ercon conductive carbon  
 reagent layer composition: as described below  
 adhesive: water-based acrylic copolymer adhesive (Apollo Adhesives)  
 hydrophilic film: 3M 100 micron hydrophilic film 9962  
 top cover: pressure sensitive adhesive coated polyester strip (Tape Specialities)

[0036] The reagent layer was formulated as follows. 100 ml of 100 mM aqueous trisodium citrate was adjusted to pH 5 by the addition of 1 M citric acid. To this 5 g of hydroxyethylcellulose (HEC), 1 g polyvinyl alcohol, 1 g PVP-VA S-630 poly(vinyl pyrrolidone vinyl acetate), and 0.5 ml of DC 1500 Dow Corning anti-foam were added and mixed by homogenization. The mixture was allowed to stand overnight to allow air bubbles to disperse and then used as a stock solution for the formulation of the coating composition. 7.5 g of Cab-o-Sil TS610 were gradually added by hand to the HEC solu-

tion until about 4/5 of the total amount was added. The remainder was added with mixing by homogenization. The mixture was then rolled for 12 hours. 11 g of potassium ferricyanide was then added and mixed by homogenization until completely dissolved. Finally, 2.8 g of glucose oxidase enzyme preparation (250 Units/mg) was added and then thoroughly mixed into the solution. The resulting formulation was ready for printing, or could be stored with refrigeration.

[0037] The sensors were used to test standard glucose solutions and the current measured at different times following addition of the glucose to the sensor. The correlation coefficient between the actual glucose concentration and the measured glucose concentration was determined for each time interval. Fig. 7 shows a plot of the results. As shown, the correlation coefficient has achieved a maximum and high value by 5 seconds after the addition of glucose to the sensor.

#### Example 2

[0038] Rapid response glucose sensors in accordance with the invention were prepared as in Example 1. These sensors were utilized to determine the amount of current at five seconds after exposure to different concentrations of glucose. For comparison, a Medisense QID glucose sensor was tested under the same conditions. Fig. 10 shows the results of this experiment graphically. As shown, the linearity of the response of the rapid response sensor in accordance with the invention is very good ( $R^2=0.999$ ). The linearity of the QID sensor at five seconds was not as good ( $R^2=0.863$ ).

#### Claims

1. A disposable electrochemical sensor for the detection of an analyte in a liquid sample comprising a working electrode and a reference electrode disposed within a sample-receiving cavity, a reagent layer disposed within the sample-receiving cavity and over the working electrode, said reagent layer comprising an enzyme for producing an electrochemical signal in the presence of the analyte, wherein the sample-receiving cavity has a volume of less than  $1.5 \mu\text{l}$  and wherein the sensor provides a measurement that correlates with the amount of the amount of analyte in a period of 10 seconds or less.
2. The sensor of claim 1, wherein the reagent layer further comprises an electron transfer mediator.
3. The sensor of claim 2, wherein the analyte is glucose and the enzyme is glucose oxidase and the mediator is ferricyanide.
4. The sensor of any preceding claim, wherein the re-

- agent-layer comprises silica.
5. The sensor of any preceding claim, wherein the reference electrode is a ferriferrocyanide electrode. 5
  6. The sensor of any preceding claim, wherein the working electrode is formed from a doped semiconductor material. 10
  7. The sensor according to any preceding claim, further comprising three adhesive pads formed on the substrate, a first adhesive pad being disposed at a first side of the reagent layer, a second adhesive pad being disposed at a second side of the reagent layer opposite from the first adhesive pad, whereby the reagent layer and the underlying electrodes are disposed between the first and second adhesive pads, and a third adhesive pad being disposed on a third side of the reagent layer different from the first and second sides and separated from the reagent layer, said adhesive pads defining the thickness of the sample-receiving cavity. 15
  8. The sensor of any preceding claim, wherein the working electrode and the reference electrode are disposed in a face-to-face configuration on opposing surfaces within the sample receiving cavity. 20
  9. The sensor of any preceding claim, wherein the reagent layer covers both the working and the reference electrode. 25
  10. A meter for use in combination with a disposable electrochemical sensor for detection and/or quantification of an analyte in a liquid sample comprising a timing circuit for controlling the measurement of current indicative of analyte in the sample following detection of sample application to a test strip inserted in the meter, wherein the timing circuit causes the measurement of current to occur at a time 15 seconds or less after the detection of sample application. 30
  11. The meter of claim 10, wherein the timing circuit causes the measurement of current to occur at a time 10 seconds or less after the detection of sample application. 35
  12. The meter of claim 10, wherein the timing circuit causes the measurement of current to occur at a time 5 seconds or less after the detection of sample application. 40
  13. The meter of claim any of claims 10 to 12, wherein the meter comprises a hand-held housing in which the timing circuit is disposed, said housing having an opening therein for receiving a sensor. 45

14. A system for electrochemical detection of an analyte in a liquid sample, comprising:

- (a) a disposable electrochemical sensor comprising a working electrode and a reference electrode disposed within a sample-receiving cavity, a reagent layer disposed within the sample-receiving cavity and over the working electrode, said reagent layer comprising an enzyme for producing an electrochemical signal in the presence of the analyte, wherein sample-receiving cavity has a volume of less than 1.5  $\mu$ l and wherein the sensor provides a measurement that correlates with the amount of analyte in a period of 10 seconds or less; and
- (b) a test meter for receiving the disposable electrochemical sensor, said meter comprising a timing circuit for controlling the measurement of current indicative of analyte in the sample following detection of sample application to a test strip inserted in the meter, wherein the timing circuit causes the measurement of current to occur at a time 15 seconds or less after the detection of sample application.

15. A method for making a disposable electrochemical sensor for the detection of an analyte, comprising the steps of:

- (a) forming a working and a reference electrode on a substrate;
- (b) forming an insulating layer over the working and reference electrodes, said insulating having an opening formed therein through which at least a portion of the working and reference electrodes are exposed;
- (c) forming a reagent layer over at least the exposed portion of the working electrode, said reagent layer comprising at least an enzyme for producing an electrochemical signal in the presence of the analyte in a rapidly hydrating matrix;
- (d) forming three adhesive pads on the substrate, a first adhesive pad being disposed at a first side of the reagent layer, a second adhesive pad being disposed at a second side of the reagent layer opposite from the first adhesive pad, whereby the reagent layer and the underlying electrodes are disposed between the first and second adhesive pads, and a third adhesive pad being disposed on a third side of the reagent layer different from the first and second sides and separated from the reagent layer;
- (e) laminating a first hydrophilic film over the first and second adhesive pads, said first hydrophilic film spanning the space between the first and second adhesive pads, and a second hydrophilic film over the third adhesive pad; and



(f) adhering a top cover over the hydrophilic films, whereby a sample chamber is formed which is defined by the substrate, the first and second adhesive pads and the first hydrophilic film.

5

16. The method of claim 15, further comprising the step of cutting the device along a line extending through the first and second adhesive layers at a location adjacent to a fourth side of the reagent layer opposite to the third side of the reagent layer.

10

15

20

25

30

35

40

45

50

55

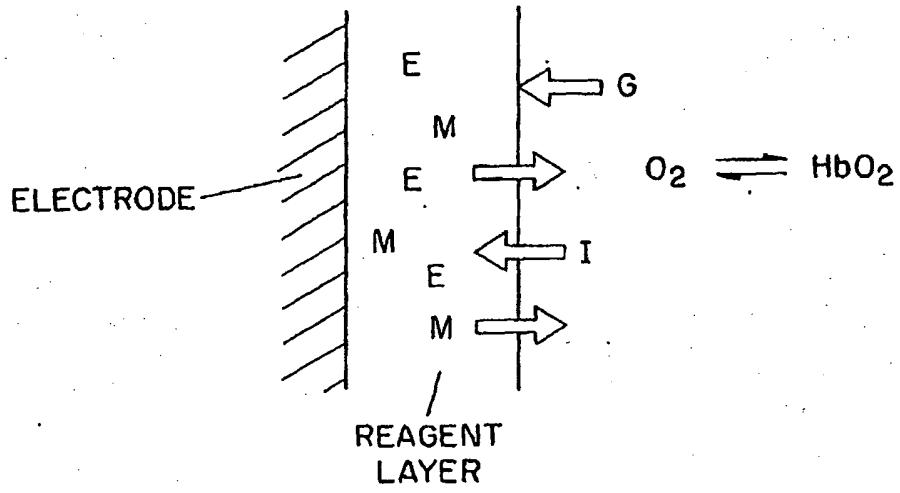


FIG. 1

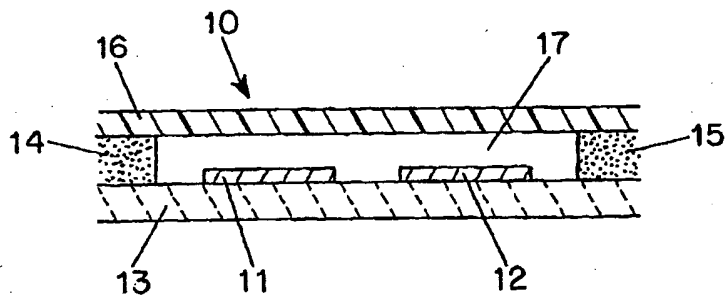


FIG. 2

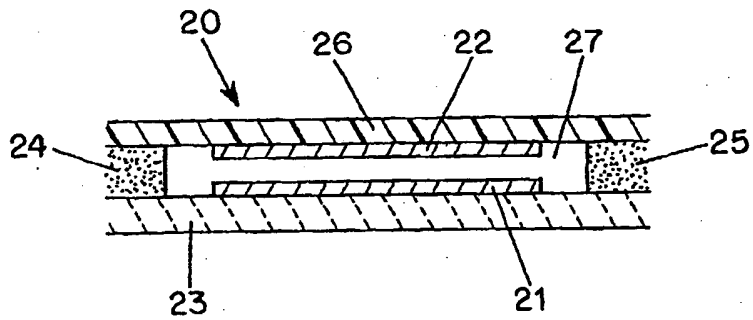


FIG. 3

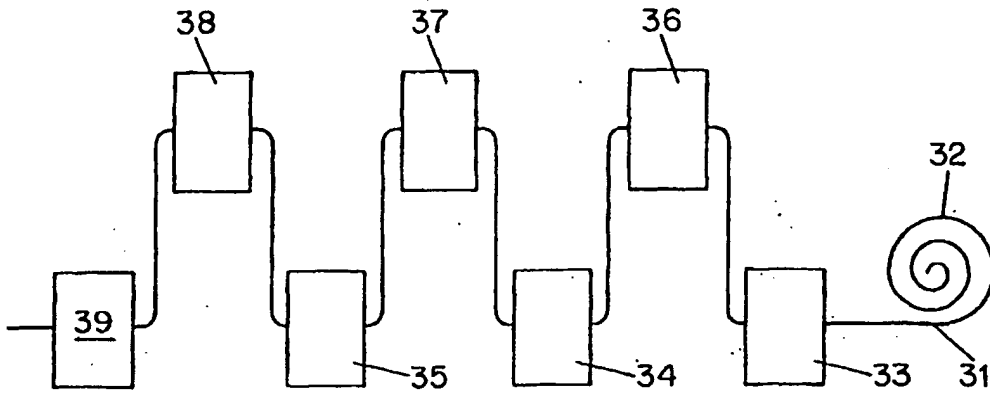


FIG. 4

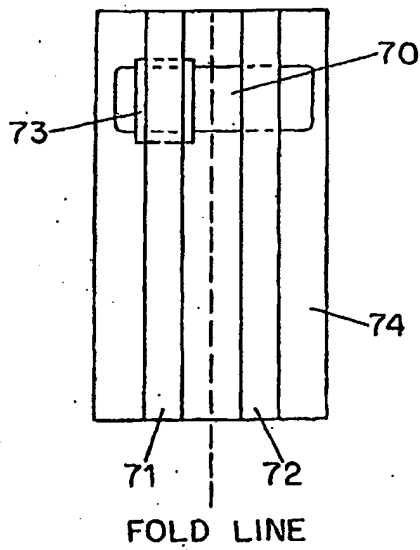


FIG. 5A

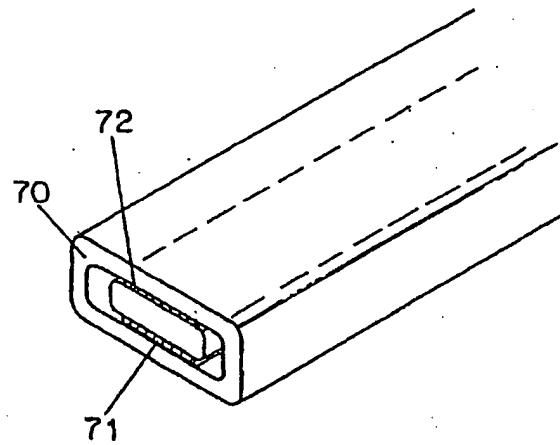


FIG. 5B

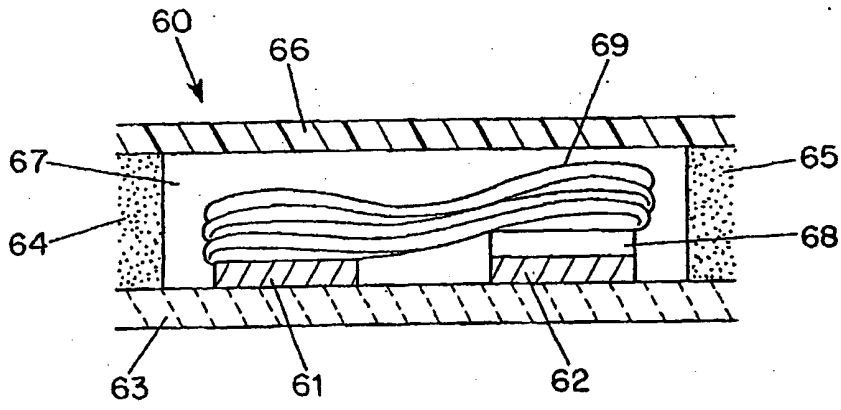


FIG. 6

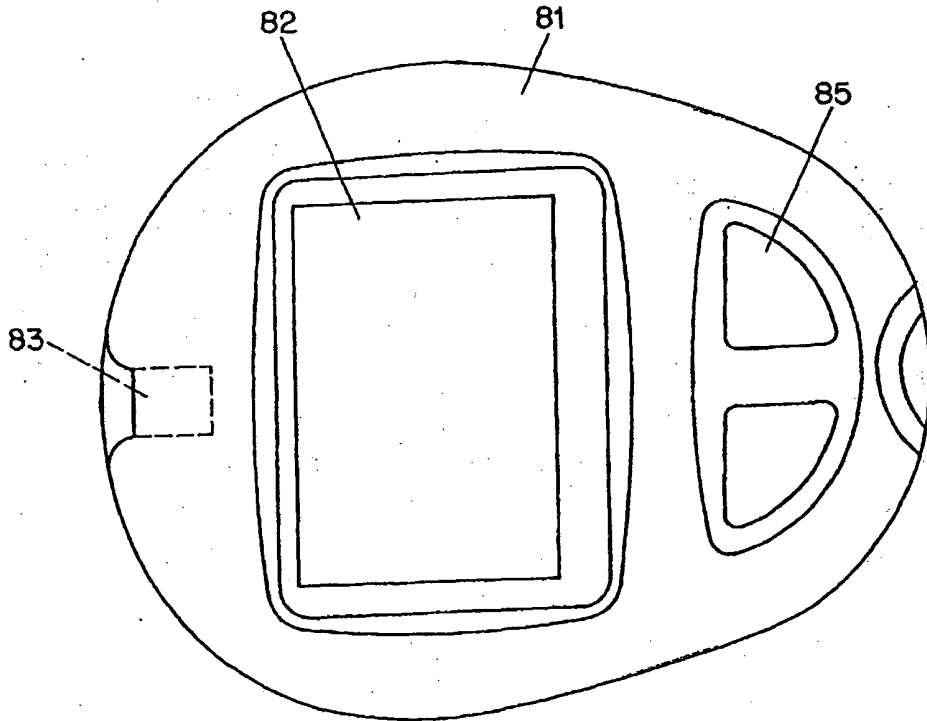


FIG. 8

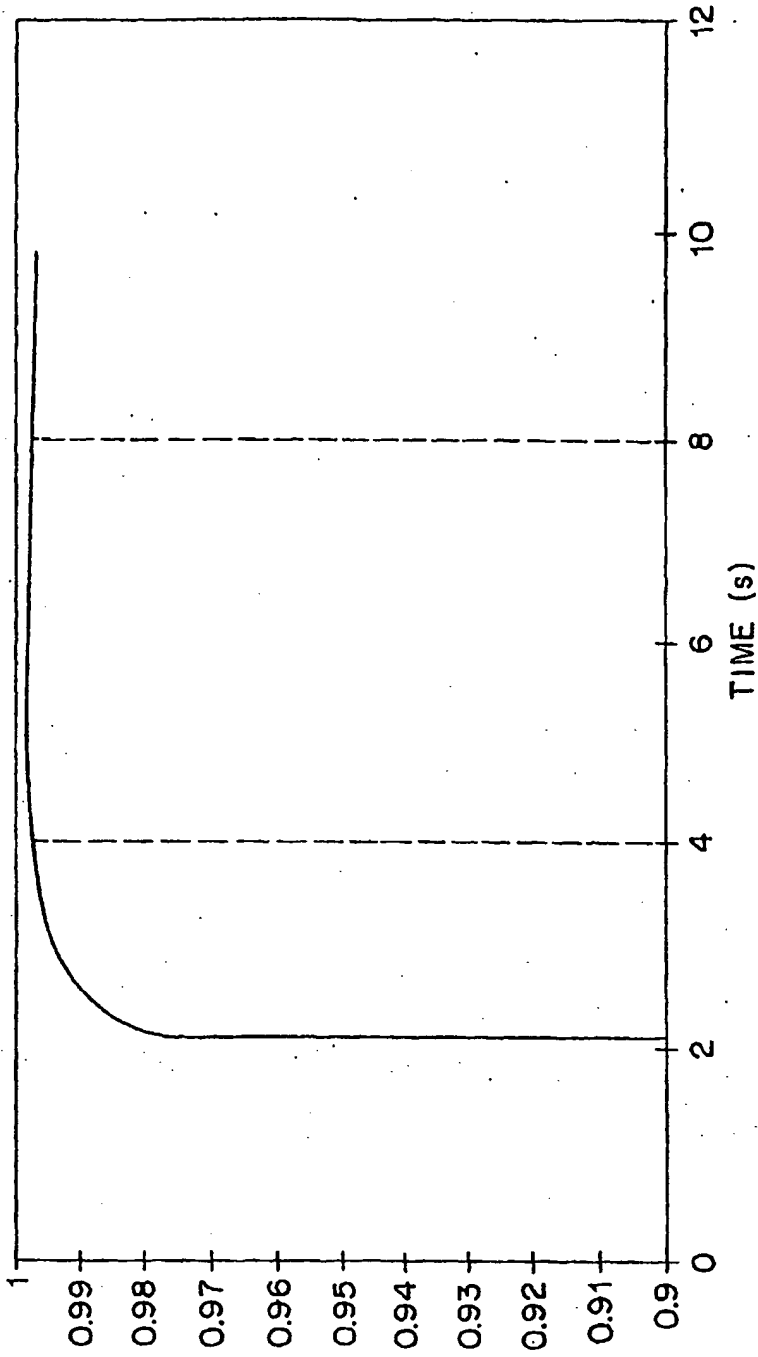


FIG. 7

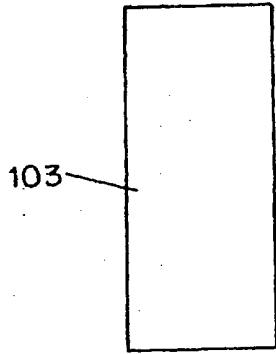
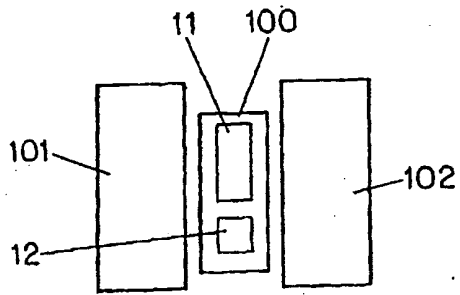


FIG. 9A

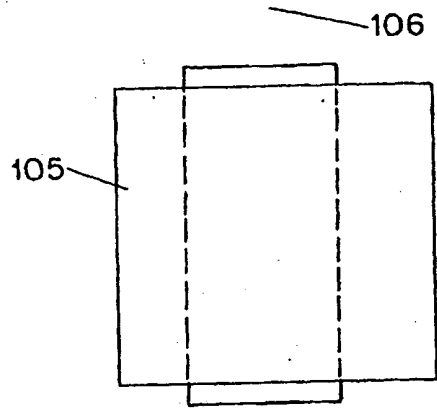
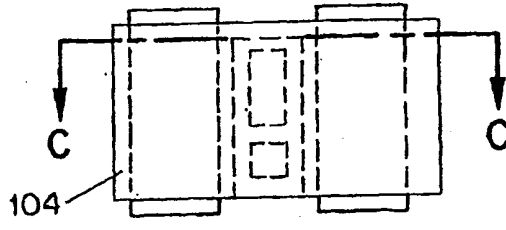


FIG. 9B

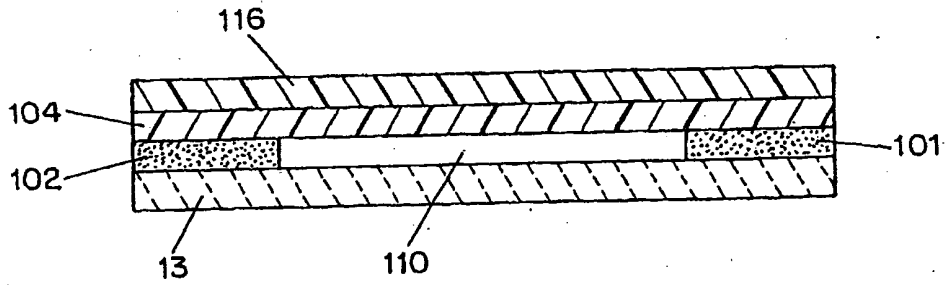


FIG. 9C

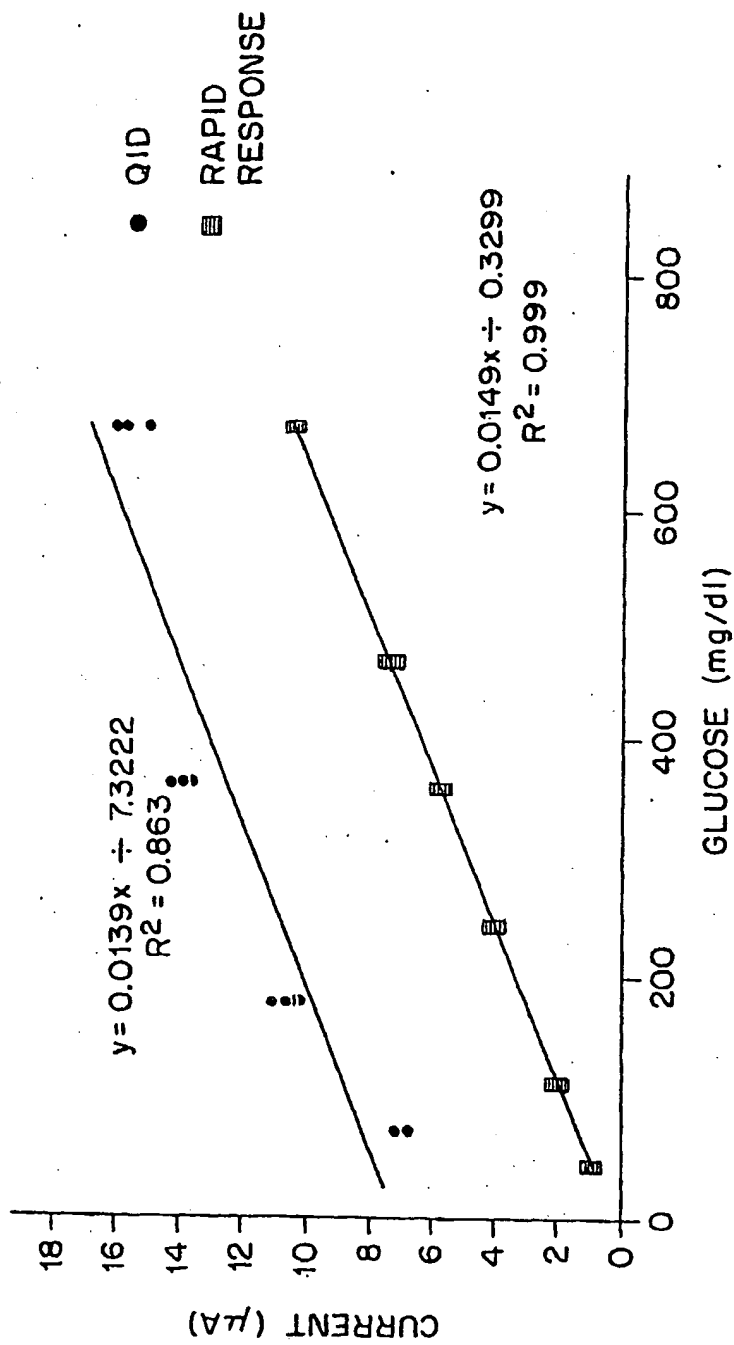


FIG. 10



European Patent Office

EUROPEAN SEARCH REPORT

Application Number  
EP 03 07 7709

DOCUMENTS CONSIDERED TO BE RELEVANT		
Category	Citation of document with indication, where appropriate, of relevant passages	Relevant to claim
A	WO 98/35225 A (TOMASCO MICHAEL F ;HELLER ADAM (US); HELLER E & CO (US); SAY JAMES) 13 August 1998 (1998-08-13) * the whole document *	10
A	EP 0 859 230 A (UNIV CRANFIELD) 19 August 1998 (1998-08-19) * abstract; examples *	10
P,A	WO 00/73778 A (NOVA BIOMEDICAL CORP) 7 December 2000 (2000-12-07) * abstract; examples *	10
		TECHNICAL FIELDS SEARCHED (Int.Cl.7)
		G01N C12Q
The present search report has been drawn up for all claims		
Place of search	Date of completion of the search	Examiner
The Hague	27 October 2003	Moreno, C
CATEGORY OF CITED DOCUMENTS X : particularly relevant if taken alone Y : particularly relevant if combined with another document of the same category A : technological background O : non-written disclosure P : intermediate document		T : theory or principle underlying the invention E : earlier patent document, but published on, or after the filing date D : document cited in the application L : document cited for other reasons & : member of the same patent family, corresponding document

EPO FORM 1503 (03.02) (PC/CI)



ANNEX TO THE EUROPEAN SEARCH REPORT  
ON EUROPEAN PATENT APPLICATION NO.

EP 03 07 7709

This annex lists the patent family members relating to the patent documents cited in the above-mentioned European search report. The members are as contained in the European Patent Office EDP file on the European Patent Office is in no way liable for these particulars which are merely given for the purpose of information.

27-10-2003

Patent document cited in search report	Publication date	Patent family member(s)	Publication date	
WO 9835225	A	13-08-1998	AT 227844 T	15-11-2002
			AU 6157898 A	26-08-1998
			DE 69809391 D1	19-12-2002
			DE 69809391 T2	10-07-2003
			DK 958495 T3	10-03-2003
			EP 0958495 A1	24-11-1999
			ES 2184236 T3	01-04-2003
			JP 3394262 B2	07-04-2003
			JP 2000509507 T	25-07-2000
			JP 2003028826 A	29-01-2003
			WO 9835225 A1	13-08-1998
			US 6143164 A	07-11-2000
			US 6120676 A	19-09-2000
			US 6576101 B1	10-06-2003
			US 2003201194 A1	30-10-2003
			US 6551494 B1	22-04-2003
			US 6607658 B1	19-08-2003
EP 0859230	A	19-08-1998	EP 0859230 A1	19-08-1998
WO 0073778	A	07-12-2000	US 6258229 B1	10-07-2001
			AU 5176000 A	18-12-2000
			CA 2375089 A1	07-12-2000
			EP 1181539 A1	27-02-2002
			JP 2003501626 T	14-01-2003
			WO 0073778 A1	07-12-2000

EPO FORM P0469

For more details about this annex : see Official Journal of the European Patent Office, No. 12/82

**THIS PAGE BLANK (USPTO)**